

TECHNICAL DATA



GENERAL FEATURES

- Self-propelled machine for wrapping palletised loads of any weight and size in less than a minute
- PARAMETERS EASILY ADJUSTABLE FROM THE PANEL
- Variable rotating speed around the pallet
- Automatic pallet height reading by photocell
- Variable up and down carriage speed
- The new design makes the machine movable withouty dismantling

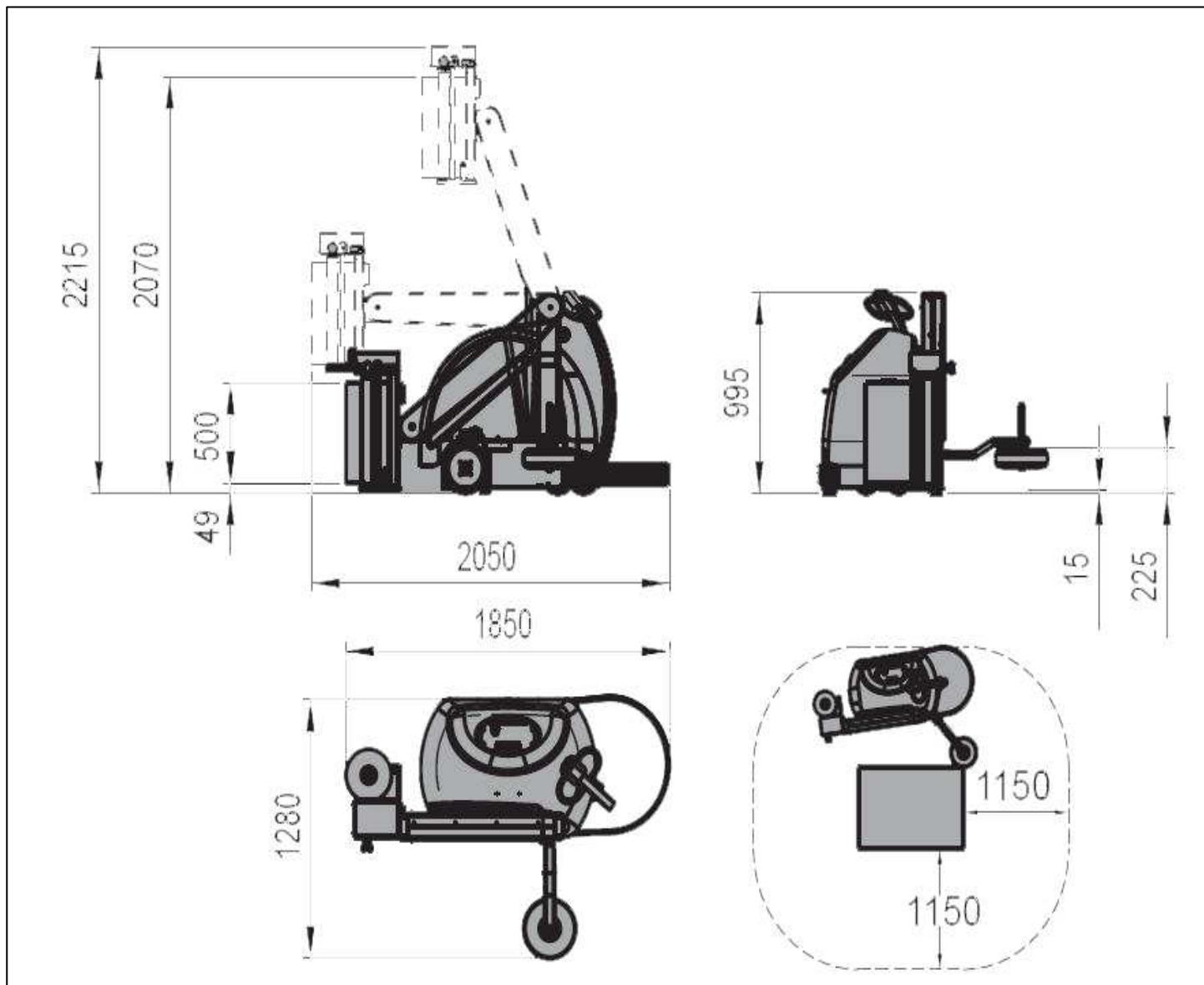
EXTRA

- Motorized pre-stretch system with 3 driven rollers electronically controlled with interchangeable ratios: 150 - 200 - 250%
- Motorized pre-stretch system with 3 driven rollers and 2 motors adjustable between 120 to 350% from control panel.
- Photocell for dark and black pallet goods

TECHNICAL SPECIFICATIONS

Minimum pallet dim.	600 x 600 mm
Max pallet height	2400 mm
Built-in battery charger	230V monophase 50/60Hz
Machine weight	325 kg
Battery capacity	150-180 pallets
Roll width	500 mm
Max. roll diameter	260 mm





Technical data	Sfera
Machine weight	325 kg
Built-in battery charger	230 V mono-phase - 50/60Hz
Electrical system and motors protection	IP 54
Min pallet dimensions	600 x 600 mm
Max. pallet height	2400 mm